

---

---

**Optics and photonics —  
Environmental test methods —**

**Part 2:  
Cold, heat and humidity**

*Optique et photonique — Méthodes d'essais d'environnement —  
Partie 2: Froid, chaleur et humidité*





**COPYRIGHT PROTECTED DOCUMENT**

© ISO 2015

All rights reserved. Unless otherwise specified, no part of this publication may be reproduced or utilized otherwise in any form or by any means, electronic or mechanical, including photocopying, or posting on the internet or an intranet, without prior written permission. Permission can be requested from either ISO at the address below or ISO's member body in the country of the requester.

ISO copyright office  
Case postale 56 • CH-1211 Geneva 20  
Tel. + 41 22 749 01 11  
Fax + 41 22 749 09 47  
E-mail [copyright@iso.org](mailto:copyright@iso.org)  
Web [www.iso.org](http://www.iso.org)

Published in Switzerland

# Contents

	Page
Foreword .....	iv
Introduction .....	vi
<b>1 Scope .....</b>	<b>1</b>
<b>2 Normative references .....</b>	<b>1</b>
<b>3 General information and test conditions .....</b>	<b>1</b>
<b>4 Conditioning .....</b>	<b>1</b>
4.1 General .....	1
4.2 Constant stress conditions .....	2
4.2.1 General .....	2
4.2.2 Conditioning method 10: Cold .....	2
4.2.3 Conditioning method 11: Dry heat .....	2
4.2.4 Conditioning method 12: Damp heat .....	2
4.2.5 Conditioning method 13: Condensation .....	2
4.3 Cycling exposure conditions .....	3
4.3.1 General .....	3
4.3.2 Conditioning method 14: Slow temperature change .....	3
4.3.3 Conditioning method 15: Rapid temperature change (temperature shock) .....	4
4.3.4 Conditioning method 16: Damp heat, cyclic .....	5
<b>5 Procedure .....</b>	<b>7</b>
5.1 General .....	7
5.2 Pre-test .....	7
<b>6 Environmental test code .....</b>	<b>7</b>
<b>7 Specification .....</b>	<b>8</b>

## Foreword

ISO (the International Organization for Standardization) is a worldwide federation of national standards bodies (ISO member bodies). The work of preparing International Standards is normally carried out through ISO technical committees. Each member body interested in a subject for which a technical committee has been established has the right to be represented on that committee. International organizations, governmental and non-governmental, in liaison with ISO, also take part in the work. ISO collaborates closely with the International Electrotechnical Commission (IEC) on all matters of electrotechnical standardization.

The procedures used to develop this document and those intended for its further maintenance are described in the ISO/IEC Directives, Part 1. In particular the different approval criteria needed for the different types of ISO documents should be noted. This document was drafted in accordance with the editorial rules of the ISO/IEC Directives, Part 2 (see [www.iso.org/directives](http://www.iso.org/directives)).

Attention is drawn to the possibility that some of the elements of this document may be the subject of patent rights. ISO shall not be held responsible for identifying any or all such patent rights. Details of any patent rights identified during the development of the document will be in the Introduction and/or on the ISO list of patent declarations received (see [www.iso.org/patents](http://www.iso.org/patents)).

Any trade name used in this document is information given for the convenience of users and does not constitute an endorsement.

For an explanation on the meaning of ISO specific terms and expressions related to conformity assessment, as well as information about ISO's adherence to the WTO principles in the Technical Barriers to Trade (TBT) see the following URL: [Foreword - Supplementary information](#)

The committee responsible for this document is ISO/TC 172, *Optics and photonics*, Subcommittee SC 1, *Fundamental standards*.

This third edition cancels and replaces the second edition (ISO 9022-2:2002), of which it constitutes a minor revision.

ISO 9022 consists of the following parts, under the general title *Optics and photonics — Environmental test methods*:

- *Part 1: Definitions, extent of testing*
- *Part 2: Cold, heat and humidity*
- *Part 3: Mechanical stress*
- *Part 4: Salt mist*
- *Part 6: Dust*
- *Part 7: Resistance to drip or rain*
- *Part 8: High internal pressure, low internal pressure, immersion*
- *Part 9: Solar radiation and weathering*
- *Part 11: Mould growth*
- *Part 12: Contamination*
- *Part 14: Dew, hoarfrost, ice*
- *Part 17: Combined contamination, solar radiation*
- *Part 20: Humid atmosphere containing sulfur dioxide or hydrogen sulfide*

- *Part 22: Combined cold, dry heat or temperature change with bump or random vibration*
- *Part 23: Low pressure combined with cold, ambient temperature and dry and damp heat*

## Introduction

Optical instruments are affected during their use by a number of different environmental parameters which they are required to resist without significant reduction in performance and to remain within defined specifications.

The type and severity of these parameters depend on the conditions of use of the instrument (for example, in the laboratory or workshop) and on its geographical location. The environmental effects on optical instrument performance in the tropics and subtropics are totally different from those found when they are used in arctic regions. Individual parameters cause a variety of different and overlapping effects on instrument performance.

The manufacturer attempts to ensure, and the user naturally expects, that instruments will resist the likely rigours of their environment throughout their life. This expectation can be assessed by exposure of the instrument to a range of simulated environmental parameters under controlled laboratory conditions. The severity of these conditions is often increased to obtain meaningful results in a relatively short period of time.

In order to allow assessment and comparison of the response of optical instruments to appropriate environmental conditions, ISO 9022 contains details of a number of laboratory tests which reliably simulate a variety of different environments. The tests are based largely on IEC standards, modified where necessary to take into account features special to optical instruments.

As a result of continuous progress in all fields, optical instruments are no longer only precision-engineered optical products, but, depending on their range of application, also contain additional assemblies from other fields. For this reason, the principal function of the instrument is to be assessed to determine which International Standard should be used for testing. If the optical function is of primary importance, then ISO 9022 is applicable, but if other functions take precedence then the appropriate International Standard in the field concerned should be applied. Cases may arise where application of both ISO 9022 and other appropriate International Standards will be necessary.



# Optics and photonics — Environmental test methods —

## Part 2: Cold, heat and humidity

### 1 Scope

This part of ISO 9022 specifies the methods relating to the environmental tests of optical instruments including additional assemblies from other fields (e.g. mechanical, chemical, and electronic devices), under equivalent conditions, for their ability to resist the influence of temperature and/or humidity.

The purpose of the testing is to investigate to what extent optical, climatic, mechanical, chemical, and electrical (including electrostatic) performance characteristics of the specimen are affected by temperature and/or humidity.

### 2 Normative references

The following documents, in whole or in part, are normatively referenced in this document and are indispensable for its application. For dated references, only the edition cited applies. For undated references, the latest edition of the referenced document (including any amendments) applies.

ISO 9022-1, *Optics and photonics — Environmental test methods — Part 1: Definitions, extent of testing*

### 3 General information and test conditions

The specimen is exposed to climatic stress in conditioning chambers or cabinets providing air circulation.

The size of the specimens and their arrangement shall be such as to ensure a uniform conditioning of all specimens. Where condensation is likely to occur, the condensate shall be prevented from dripping onto the specimen.

Where heat-dissipating specimens are involved, the relevant specification shall state the number, method of installation and location of the heat sensors.

**WARNING — Persons entering test chambers with dew-point temperatures of equal to or greater than 38 °C must be equipped with breathing apparatus (e.g. conditioning methods 12, 13, and 16).**

### 4 Conditioning

#### 4.1 General

The required exposure time shall not commence until all parts of the specimen have reached a temperature within at least 3 K of the test chamber temperature. For heat-dissipating specimens, the period of exposure or dwell time (conditioning methods 14 and 15) shall not begin, or end, until the temperature of the specimen changes not more than 1 K within 1 h at the stabilized test chamber temperature. The last hour of the temperature soaking time shall be considered to be the first hour of the exposure period.

## 4.2 Constant stress conditions

### 4.2.1 General

During exposure to constant stress conditions, the temperature shall be changed sufficiently slowly to prevent the specimen from being damaged. When testing to conditioning methods 11 and 12, the maximum relative humidity also applies to the temperature change phase. The relevant specification shall state whether dew formation (condensation) on the specimen is acceptable.

### 4.2.2 Conditioning method 10: Cold

See [Table 1](#).

**Table 1 — Degrees of severity for conditioning method 10: Cold**

Degree of severity		01	02	03	04	05	06	07	08	09	10
Test chamber temperature	°C	-0 ± 3	-10 ± 3	-15 ± 3	-20 ± 3	-25 ± 3	-30 ± 3	-35 ± 3	-40 ± 3	-55 ± 3	-65 ± 3
Exposure time	h	16									
State of operation		0 or 1 or 2 <sup>a</sup>									0 or 1

<sup>a</sup> When testing to degree of severity 09 is required, state of operation 2 should be justified in the relevant specification.

### 4.2.3 Conditioning method 11: Dry heat

See [Table 2](#).

**Table 2 — Degrees of severity for conditioning method 11: Dry heat**

Degree of severity		01	02	03	04	05	06	07	08
Test chamber temperature	°C	10 ± 2	40 ± 2	55 ± 2	63 ± 2	70 ± 2	85 ± 2	70 ± 2	85 ± 2
Relative humidity	%	<40							
Exposure time	h	16			6	6	2	2	
State of operation		0 or 1 or 2				0 or 1	0 or 1 or 2	0 or 1	

### 4.2.4 Conditioning method 12: Damp heat

See [Table 3](#).

**Table 3 — Degrees of severity for conditioning method 12: Damp heat**

Degree of severity		01	02	03	04	05	06	07
Climatic conditions		40 °C ± 2 °C and 90 % to 95 % r.h.				55 °C ± 2 °C and 90 % to 95 % r.h.		
Exposure time		24 h	4 d	10 d	21 d	56 d	6 h	16 h
State of operation		0 or 1 or 2 <sup>a</sup>						

<sup>a</sup> State of operation 2 during the last 4 h of exposure only.

### 4.2.5 Conditioning method 13: Condensation

See [Table 4](#).



**Table 4 — Degrees of severity for conditioning method 13: Condensation**

Degree of severity	01	02	03	04	05	06
Climatic conditions	40 °C ± 2 °C and approximately 100 % r.h., including condensation on specimens					
Exposure time	6 h	16 h	2 d	4 d	8 d	16 d
State of operation	0 or 1 or 2 <sup>a</sup>					
<sup>a</sup> State of operation 2 during the last 4 h of exposure only.						

### 4.3 Cycling exposure conditions

#### 4.3.1 General

When applying conditioning methods 14 and 15, the specimens shall have reached a temperature at least within 3 K of the test chamber temperatures  $t_1$  and  $t_2$  not later than at the end of the dwell times shown in the respective tables. If the requirement cannot be met, owing to large-sized specimens, a pre-test may be performed to determine the dwell times required.

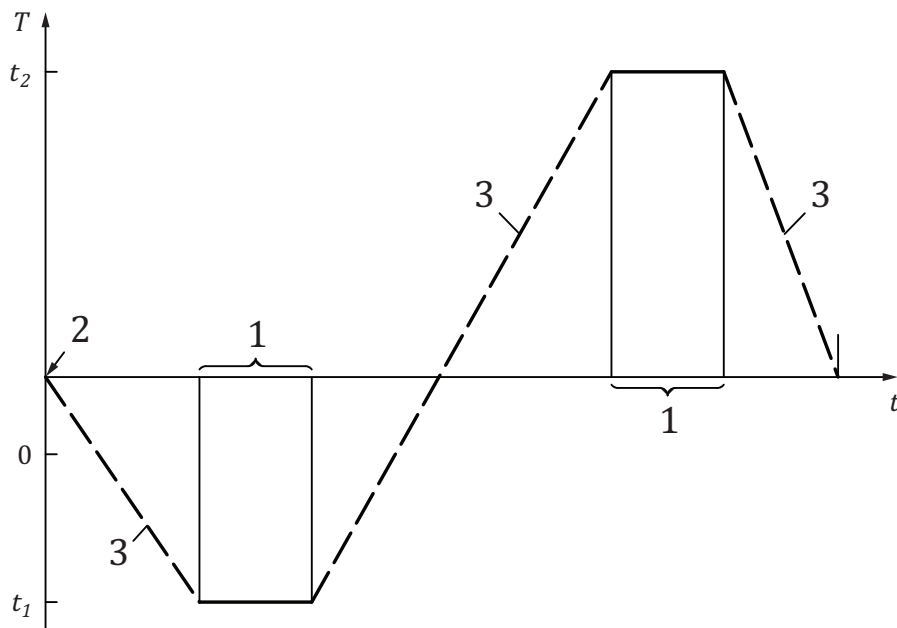
When applying conditioning method 15, intermediate storage (e.g. overnight) will be acceptable at  $t_2$  only.

#### 4.3.2 Conditioning method 14: Slow temperature change

See [Table 5](#) and [Figure 1](#).

**Table 5 — Degrees of severity for conditioning method 14: Slow temperature change**

Degree of severity		01	02	03	04	05	06	07	08	09
Test chamber temperature	°C									
	$t_2$	40 ± 2	55 ± 2	70 ± 2	55 ± 2	63 ± 2	70 ± 2	70 ± 2	70 ± 2	85 ± 2
	$t_1$	-10 ± 3	-25 ± 3	-25 ± 3	-40 ± 3	-35 ± 3	-40 ± 3	-50 ± 3	-65 ± 3	-65 ± 3
Temperature difference	K	50	80	95	95	98	110	120	135	150
Number of cycles	5									
Dwell time at $t_1$ and $t_2$	Until specimen has reached a temperature at least within 3 K of the test chamber temperature but not less than 2,5 h. For heat-dissipating specimens, refer to <a href="#">4.1</a> .									
Test chamber temperature change rate	Between 0,2 K/min and 2 K/min.									
State of operation	0 or 1 or 2 <sup>a</sup>									
<sup>a</sup> When testing to degrees of severity 04 to 09, state of operation 2 should be justified in the relevant specification.										



**Key**

- 1 dwell time
- 2 ambient atmospheric conditions
- 3 0,2 K/min to 2 K/min
- t duration, h
- T temperature, °C

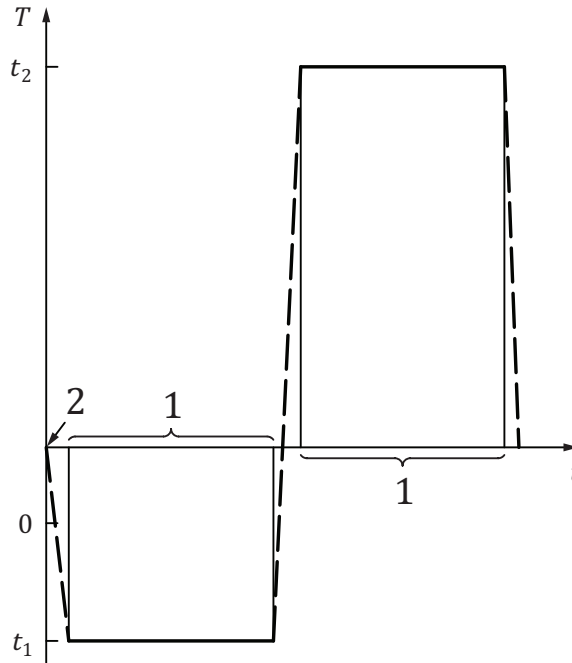
**Figure 1 — Cycling curve for conditioning method 14 (slow temperature change)**

**4.3.3 Conditioning method 15: Rapid temperature change (temperature shock)**

See [Table 6](#) and [Figure 2](#).

**Table 6 — Degrees of severity for conditioning method 15: Temperature shock**

Degree of severity			01	02	03	04	05
Test chamber temperature	°C	t <sub>2</sub>	20 ± 2	40 ± 2	55 ± 2	70 ± 2	70 ± 2
		t <sub>1</sub>	-10 ± 2	-25 ± 2	-40 ± 2	-55 ± 2	-65 ± 2
Temperature difference		K	30	65	95	125	135
Number of cycles	5						
Dwell time at t <sub>1</sub> and t <sub>2</sub>	Until specimen has reached a temperature at least within 3 K of the test chamber temperature but not less than 2,5 h. For heat-dissipating specimens, refer to <a href="#">4.1</a> .						
Time allowed for temperature change rate	Max. 20 s for equipment of up to 10 kg; beyond 10 kg as short as possible but not more than 10 min. The time actually taken should be documented in the test report.						
State of operation	0 or 1 or 2 <sup>a</sup>						
<sup>a</sup> State of operation 2 should be justified in the relevant specification.							



**Key**

- 1 dwell time
- 2 ambient atmospheric conditions
- t duration, h
- T temperature, °C

**Figure 2 — Cycling curve for conditioning method 15 (temperature shock)**

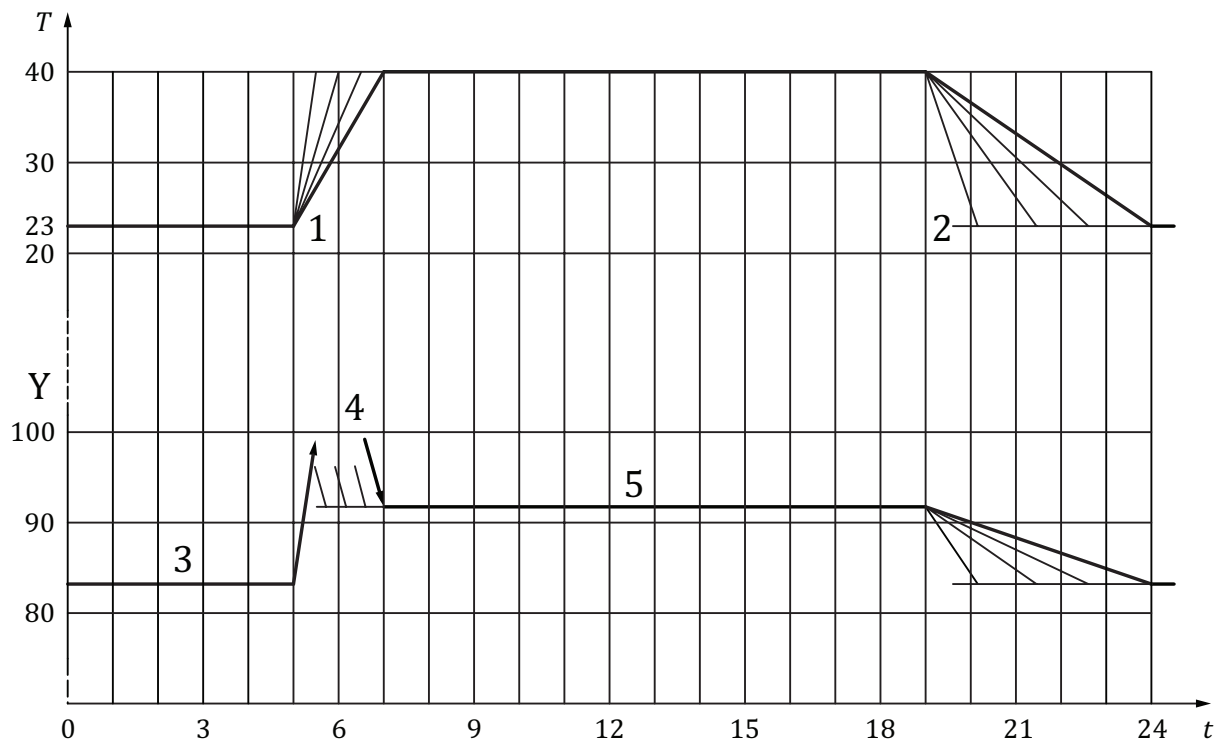
**4.3.4 Conditioning method 16: Damp heat, cyclic**

See [Table 7](#).

**Table 7 — Degrees of severity for conditioning method 16: Damp heat, cyclic**

Degree of severity	01	02 <sup>a</sup>	03 <sup>a</sup>	04 <sup>b</sup>	05 <sup>b</sup>	06 <sup>b</sup>	07 <sup>b</sup>
Cycling climatic conditions	23 °C ± 2 °C and 80 % to 85 % r.h. 40 °C ± 2 °C and 90 % to 95 % r.h. including condensation			23 °C ± 2 °C 55 °C ± 2 °C		23 °C ± 2 °C 70 °C ± 2 °C	
Number of cycles	5	10	20	5	10	5	10
State of operation	0 or 1 or 2 <sup>c</sup>			0 or 1			
<sup>a</sup> Refer to <a href="#">Figure 3</a> for procedure. <sup>b</sup> Refer to <a href="#">Figure 4</a> for procedure and for relative humidity. <sup>c</sup> State of operation 2 from the 15th to 19th hour of one cycle only.							

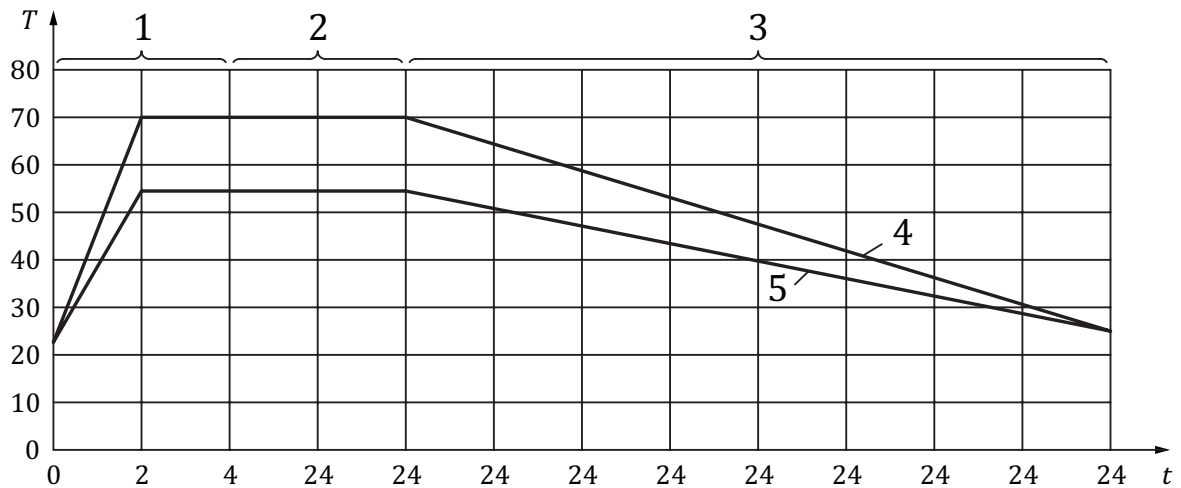
The cycling curve for degrees of severity 01 to 03 is shown in [Figure 3](#); curves for degrees of severity 04 to 07 are shown in [Figure 4](#).



**Key**

- 1 change to 40 °C ± 2 °C temperature and 90 % to 95 % relative humidity
- 2 change to 23 °C ± 2 °C temperature and 80 % to 85 % relative humidity
- 3 80 to 85
- 4 condensation
- 5 90 to 95
- t* duration, h
- T* temperature, °C
- Y* relative humidity, %

**Figure 3 — Cycling curve for conditioning method 16: Damp heat, cyclic (degrees of severity 01 to 03)**



### Key

- 1 ≥85 % relative humidity
- 2 90 % to 95 % relative humidity
- 3 ≥85 % relative humidity without condensation
- 4 06 and 07
- 5 04 and 05
- t* duration, h
- T* temperature, °C

**Figure 4 — Cycling curve for conditioning method 16: Damp heat, cyclic (degrees of severity 04 to 07)**

## 5 Procedure

### 5.1 General

The test shall be conducted in accordance with the requirements of the relevant specification and with ISO 9022-1.

### 5.2 Pre-test

For conditioning methods 14 and 15, the dwell times for large-sized specimens shall be determined in a pre-test and documented in the test report.

## 6 Environmental test code

The environmental test code shall be as defined in ISO 9022-1, giving a reference to ISO 9022 and the codes for the conditioning method chosen, the degree of severity, and the state of operation.

**EXAMPLE** The environmental test of optical instruments for resistance to slow temperature change, in accordance with conditioning method 14, degree of severity 02, state of operation 1, is identified as:

**Environmental test ISO 9022-14-02-1**

## 7 Specification

The relevant specification shall contain the following details:

- a) environmental test code;
- b) number of specimens;
- c) number, location, and method of installation of the temperature sensors required for heat-active specimens;
- d) conditioning method 10: justification of state of operation 2 at degree of severity 09 or 10. Determination of additional requirements for testing a cold specimen in an open cold chamber or outside the cold chamber and for protecting the specimen against hoarfrost or dew;
- e) conditioning method 12: acceptability of condensation;
- f) conditioning method 14, degrees of severity 04 to 09: justification of state of operation 2 if that state of operation is required;
- g) conditioning method 15: the time of temperature change actually required for specimens beyond 10 kg mass shall be stated in the test report; justification of state of operation 2 at all degrees of severity;
- h) conditioning method 16, degrees of severity 04 to 07: relative humidity values other than those shown in [Figure 4](#) shall be specified;
- i) preconditioning;
- j) type and scope of initial test;
- k) state of operation 2: period of operation;
- l) state of operation 2: type and scope of intermediate test;
- m) recovery;
- n) type and scope of final test;
- o) criteria of evaluation;
- p) type and scope of test report.



